

# UHC



The UHC is the first generation holding cabinet. This unit was built exclusively for McDonald's.

## **Unique Physical Characteristics:**

- This unit is programmed with buttons on the bezel. There is no IR port. There is no part interchangeability between the UHC and the newer UHC-P.

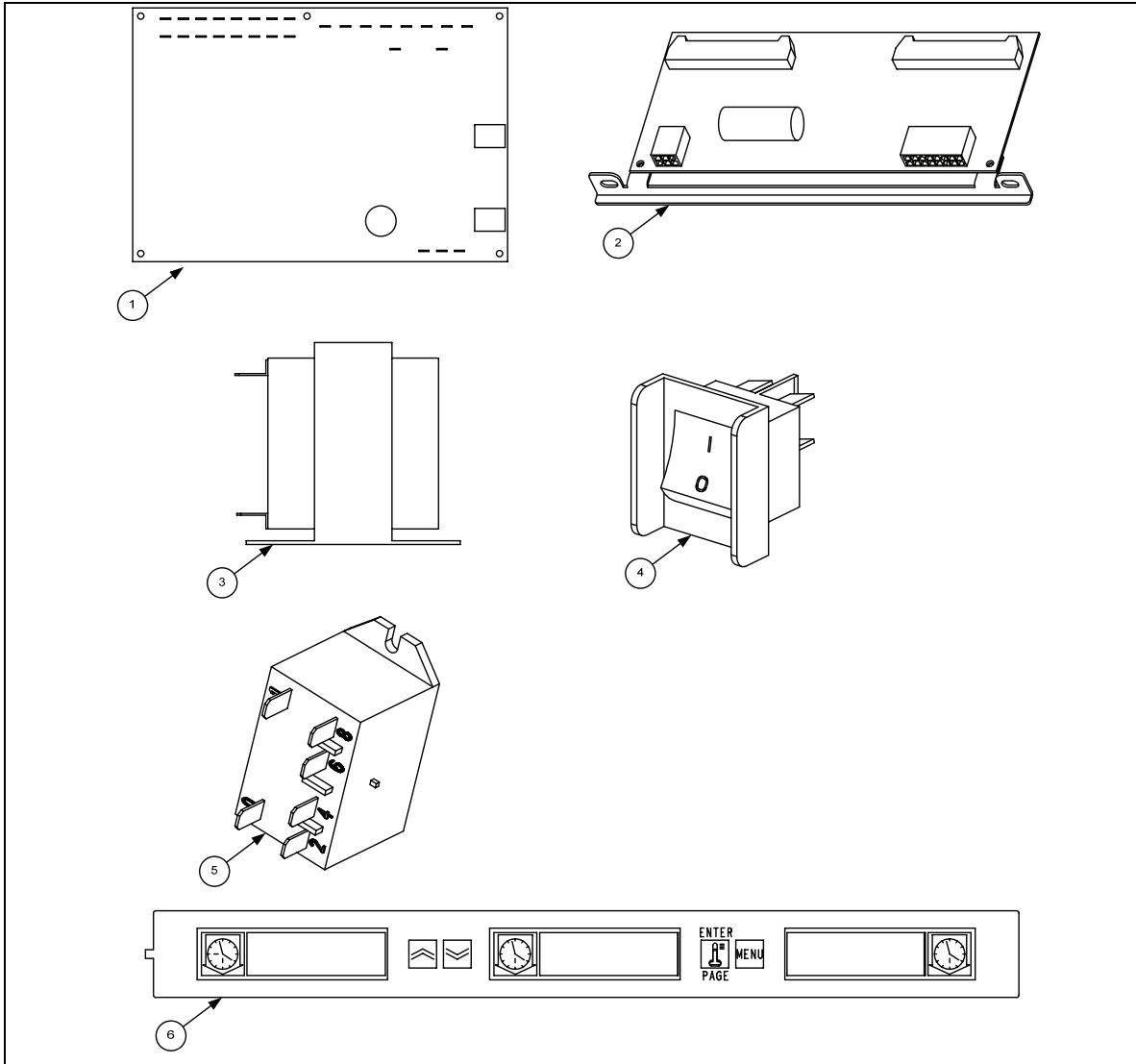
## **Where Used:**

- McDonald's only

## **Common Model Number:**

- UHC

# UHC



ITEM	PART #	COMPONENT
1	807-2443	UHC Motherboard
2	807-2444	UHC Driver board
3	807-2460	Transformer
4	807-3308	Switch
5	807-3490	Relay, power
*	826-1718	Switch Kit with relay ( includes switch, relay, bracket and wiring)
6	807-3309	Front Display Assembly
*	807-3310	Rear display Assembly
*	807-3311	Front Membrane Switch
*	807-3312	Rear Membrane Switch
*	807-2448	CN1 and CN2 Harnesses
*	807-2665	Blower
*	807-2770	1.5 amp fuse
*	807-2819	20 amp fuse

\* Not illustrated.