

# Sinbad



The Sinbad is a single-basket fry dispenser. It is used almost exclusively by Burger King.

## **Unique Physical Characteristics:**

- The Sinbad uses a load cell to measure fries awaiting dispensing in the hopper.

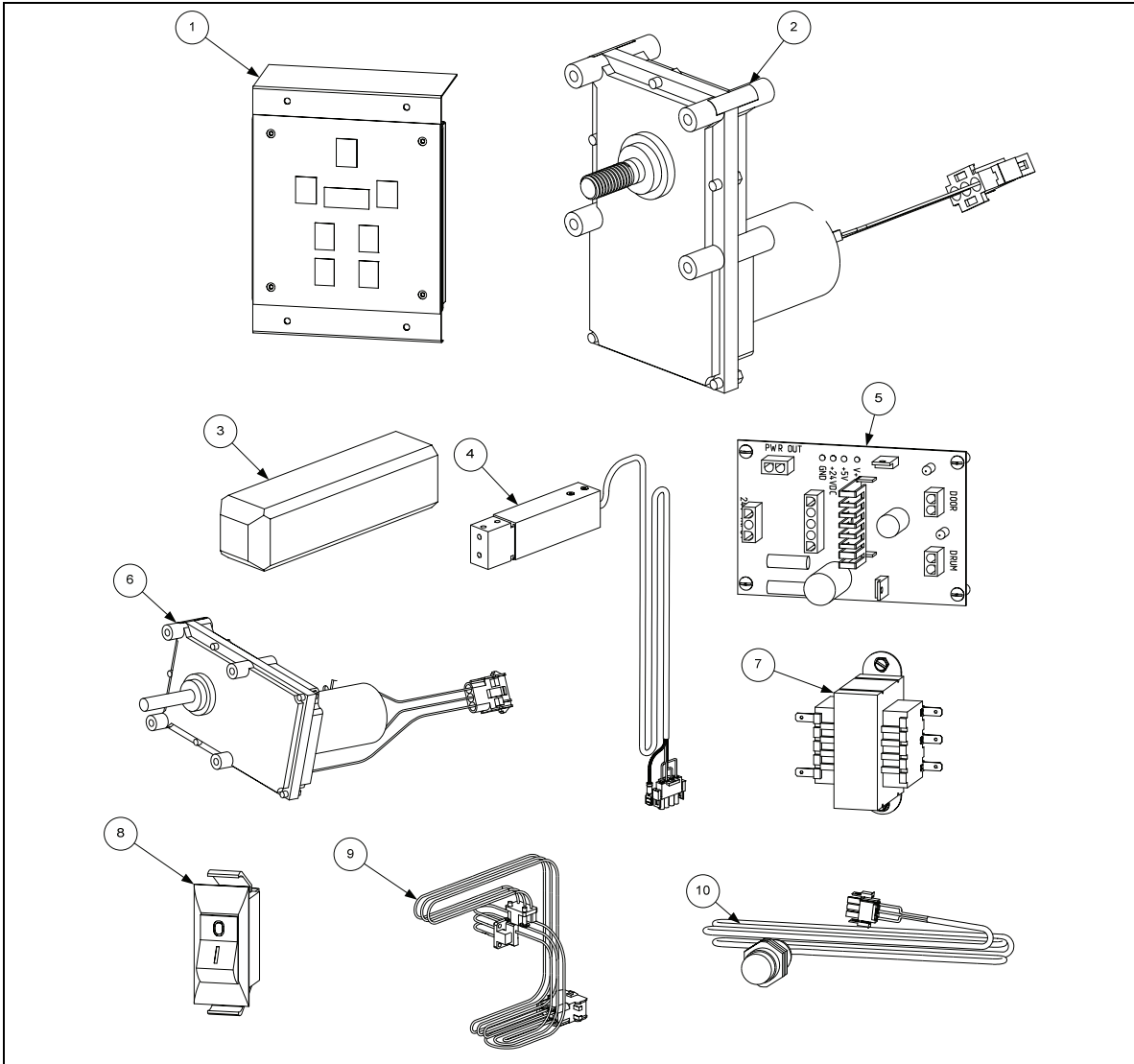
## **Where Used:**

- Burger King and a few in McDonald's.

## **Common Model Number**

- Sinbad

# Sinbad



ITEM	PART #	COMPONENT
1	106-1277	Sinbad II Controller (Burger King)
*	826-1571	Sinbad I Controller, (Burger King)
*	106-1480	Sinbad Controller, (McDonald's)
2	807-3436	Drum Motor
3	810-1571	Drum Rotator Arm
4	806-9258	Load Cell
5	106-6715	Motor Interface Board
6	807-3004	Dispense Motor
7	807-2943	Transformer
8	807-2734	ON/OFF Switch, Lighted, Green
9	806-8969SP	Position Sensor Assembly, Hall Effect
10	106-0503SP	Proximity Sensor Assembly
*	816-0568	Sight Glass, Sinbad II ( Tapered, wider at top)
*	816-0324	Sight Glass, Sinbad I (Parallel sides, not tapered)

\* Not illustrated.