

# Dean Millivolt



The SR and SM-series of Dean fryers are millivolt-powered units.

## **Unique Physical Characteristics:**

- A no-frills millivolt fryer.

## **Where used:**

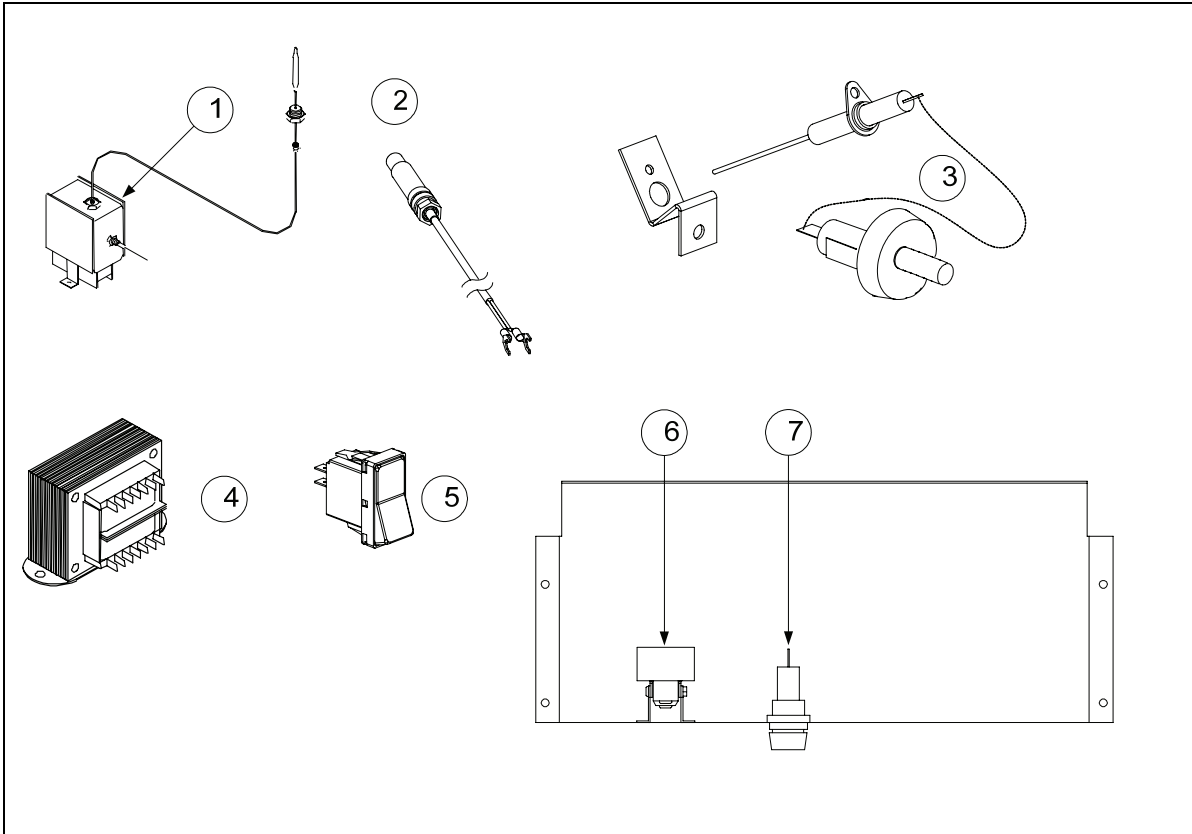
- IHOP uses SM fryers with filtration, small restaurants, bars, catering vehicles use the SR series.

## **Common Model Numbers:**

SR42, SR52, SR62, SM250, SM150, SCFSM250

# Dean Millivolt

## Component Box Components and Related Components

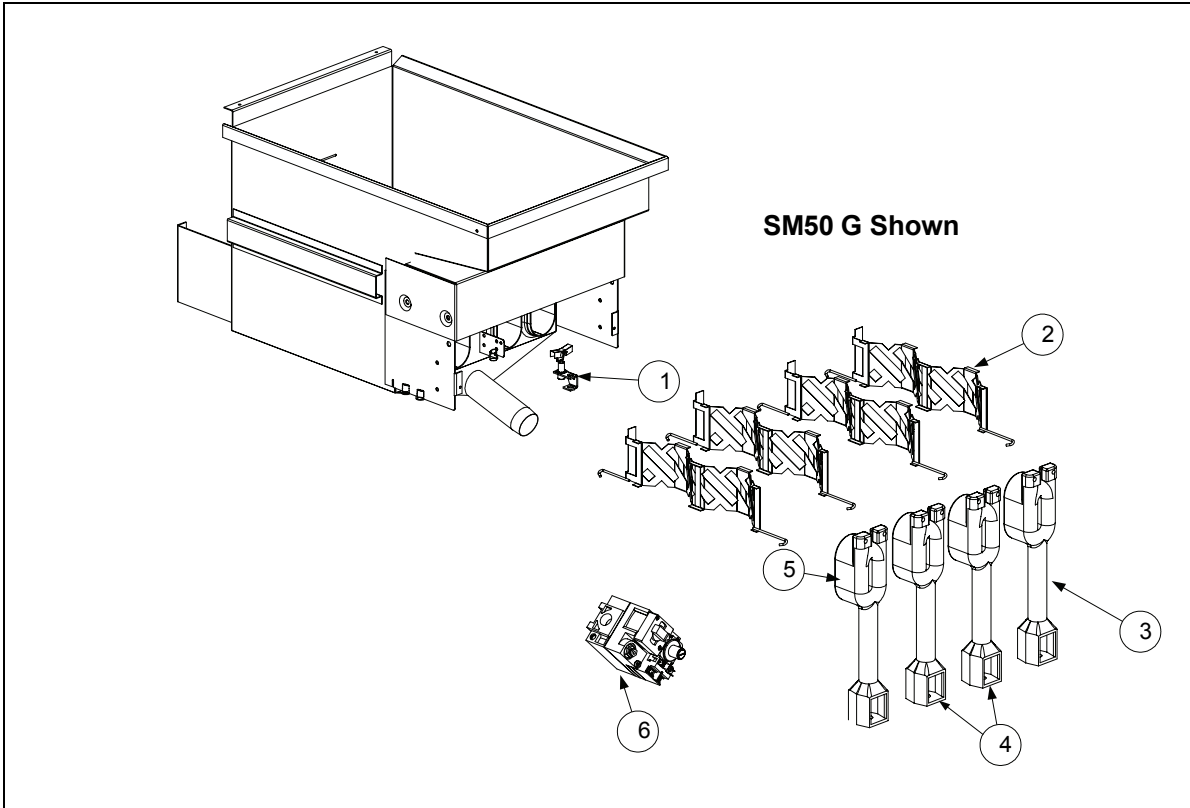


Item	Part #	Component
1	826-2013	Thermostat, Sunne
2	807-3485	Thermopile
3	810-1001	Piezo Ignitor (Trigger) ( <i>Wire Lead-807-3650</i> ) ( <i>Assembly-44970SP</i> )
4	807-0800	Transformer, 120/24 VAC- Filtration System
5	807-3580	Switch, Rocker- Manual Filter Power
6	807-3516	High-Limit Thermostat- Automatic Reset 435° F SM20/35,SR40/42
*	807-3680	High-Limit Thermostat- Manual Reset 450° F
7	807-1321	Fuse Holder, Buss
*	807-3750	Fuse 5A (120V Systems)
*	826-1392	O-Rings (Pkg. of 5)
*	807-3611	Relay, Filter 24A DPDT
*	807-2103	Microswitch, Straight Lever

\* Not illustrated.

# Dean Millivolt

## Frypots and Related Components



Item	Part #	Description
1		<b>Pilot Assemblies</b>
	810-2689	Pilot Assembly Honeywell w/ Piezo- Natural (Use 810-2690 for LP) SM20G
	106-4968	Pilot Assembly w/ Piezo-Natural SM20G
	810-2158	Pilot Burner- SM20G- Natural(0.18 Orifice) (Use 810-2526 for LP)
	810-2690	Pilot assembly, LP, SM20
	810-2032	Burner, Pilot- Natural & MFG (Also Used For Main Pilot) SM60G, SR62G, SM80G, 50G
	106-0692	Burner, Pilot Assembly- Natural & MFG SM60G, SR62G, SM80G
	810-2155	Burner, Pilot- LP (Also Used For Main Pilot) SM60G, SR62G, SM80G, SM50
2		<b>Diffusers</b>
	210-5197	Diffuser, Burner Tube- SM80G
	210-5215	Diffuser, Burner Tube- SM60G, SR62G
	230-2593	Diffuser, Burner Tube- SR52G, SM/D50, SM/D20
	230-2592	Diffuser, Burner Tube- SR38G, SR42G, SM35G, SM40G
	210-5175	Diffuser, Burner Tube- SM50G, SM20
		<b>Burners</b>
3	810-2150	Burner, Right- SM60G, SM80G, SR62G, SM20, SR52G, SM50G
3	810-2039	Burner, Right- SR38G, SR42G, SM35G, SM40G
4	810-2149	Burner, Center- SM60G, SM80G, SR62G, SR52G, SM50G
4	810-2038	Burner, Center- SR38G, SR42G, SM35G, SM40G

# Dean Millivolt

Item	Part #	Description
5	810-2151	Burner, Left- <b>SM60G, SM80G, SR62G, SM20G, SR52G, SM50G</b>
5	810-2037	Burner, Left- <b>SR38G, SR42G, SM35G, SM40G</b>
6		<b>Valves</b>
	807-1603	Valve, Gas- Natural, Honeywell- 1/2" in x 1/2" out Started using Feb. 2003 <b>SM50G, SM20, SR, SM35, SM40, SM50</b>
	807-3648	Valve, Gas- Natural, Honeywell- 3/4" in x 3/4" out Started using Feb. 2003 Export <b>SM50G</b>
	807-3645	Valve, gas, nat. Robertshaw, 1/2" x 3/4", <b>SR, SM20, SM35, SM40, SM50, SR62, SM60, SM80</b>
	826-2267	Valve, gas, nat. Honeywell, 1/2" x 3/4" <b>SR, SM20, SM35, SM40, SM50 SR62, SM60, SM80</b>
	826-2276	Valve, Gas- LP, Robertshaw MV <b>SM60G, SR62G, SM80G, SM20G (Valve with LP kit)</b>
	826-2268	Valve, gas, LP, Honeywell, <b>SM35, SM40, SM50, SR62, SM60, SM80,</b>
	807-3553	Valve, gas, LP, Honeywell, 1/2" x 1/2", <b>SR series, SM35, SM40, SM50</b>
	807-1604	Valve, gas, LP, Honeywell 1/2" x 1/2" use started 2/03, <b>SR series, SM35, SM40, SM50, SM20</b>
	810-2138	Valve, Trailing Pilot- <b>SM60G, SM80G, SR62G adjustment valve</b>
*		<b>Conversion Kits</b>
	826-1817	Natural to LP, <b>SR42</b>
	826-2017	LP to Natural, <b>SR42</b>
	826-2018	Natural to LP, <b>SR52/SM50 (with Honeywell valve)</b>
	826-2019	LP to Natural, <b>SR52/SM50 (with Honeywell valve)</b>
	826-2020	Natural to LP, <b>SR62/SM60 (with Honeywell valve)</b>
	826-2021	LP to Natural, <b>SR62/SM60 (with Honeywell valve)</b>
	807-1846	Valve kit, Nat to Pro, <b>SR 52,62, SM35, SM40, SM50</b>

\* Not illustrated.